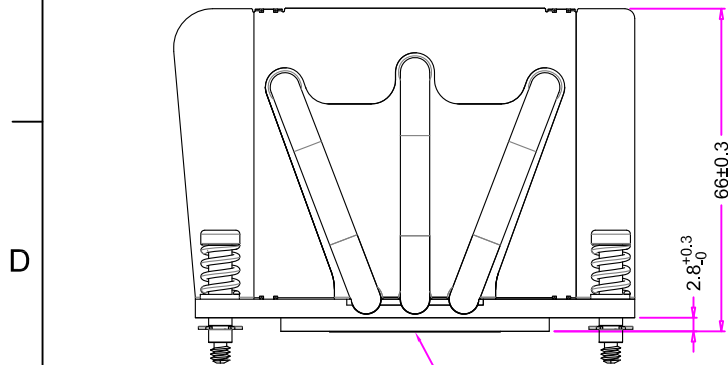
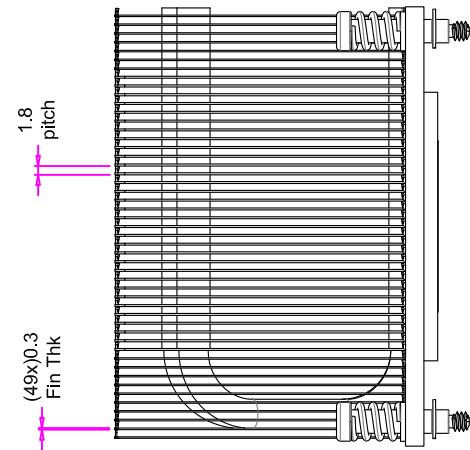
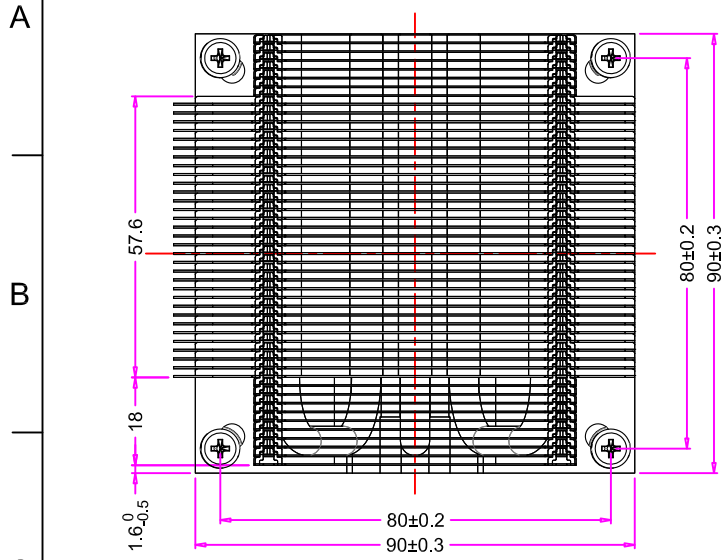
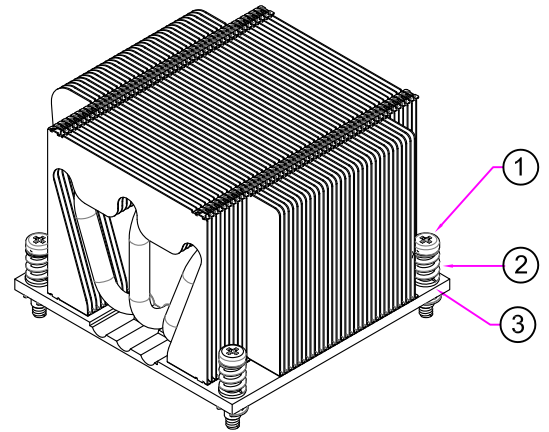


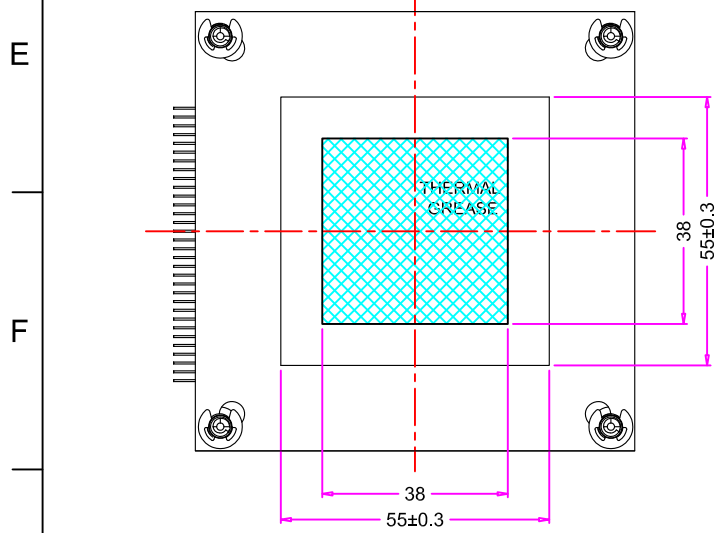
REV#	DESCRIPTION	CHECKER	DATE
0.0	INITIAL RELEASE	LANG	06/02/2014



0.10  
Ra < 1.2  
Mill



3D IMAGE IS NOT FOR SCALE



Bottom View with Back Strip Hidden

6	THERMAL GREASE	SHIN-ETSU 7762	1
5	C-RING	STEEL	4
4	HEATSINK	CU.BASE + Ø6.0 HEATPIPE ALUMINUM FIN	1
3	WASHER	STEEL	4
2	SPRING	SWP (0940G)	4
1	SCREW, HEATSINK	STEEL (2860G)	4
ITEM#	DESCRIPTION	MATERIAL	QTY.

	NAME	DATE
DRAWN BY	ENGR	06/02/2014
CHECKED BY	LANG	06/02/2014
ENG. APPROVED		
MFG. APPROVED	-	-



**DYNATRON CORPORATION**

TITLE: **Passive Heatsink Y517**  
BOM & Overall Dimension Drawing

**CONFIDENTIAL DOCUMENT**  
THIS DRAWING CONTAINS INFORMATION PROPRIETARY TO DYNATRON CORPORATION AND DYNAEON INDUSTRIAL CO., LTD. ANY REPRODUCTION, DISCLOSURE, OR USE OF THIS DRAWING IS EXPRESSLY PROHIBITED EXCEPT AS DYNATRON CORPORATION AND DYNAEON INDUSTRIAL CO., LTD. MAY OTHERWISE AGREE TO IN WRITING.

VIEW	
UNITS	MM

DWG. No: **DYN-BD-Y517**

REV. **0.0**